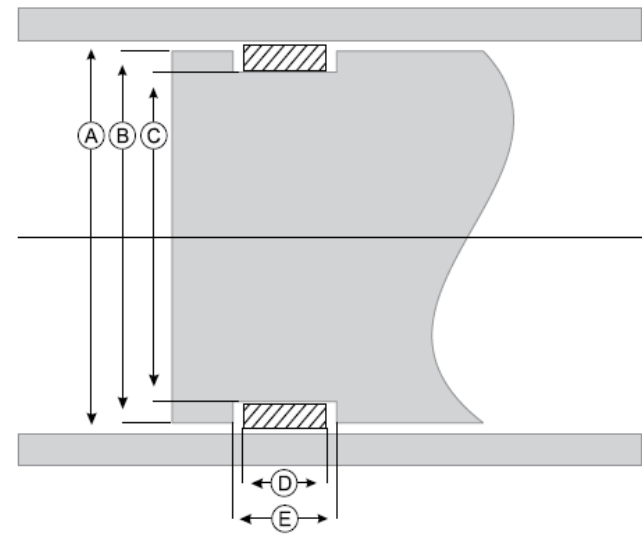
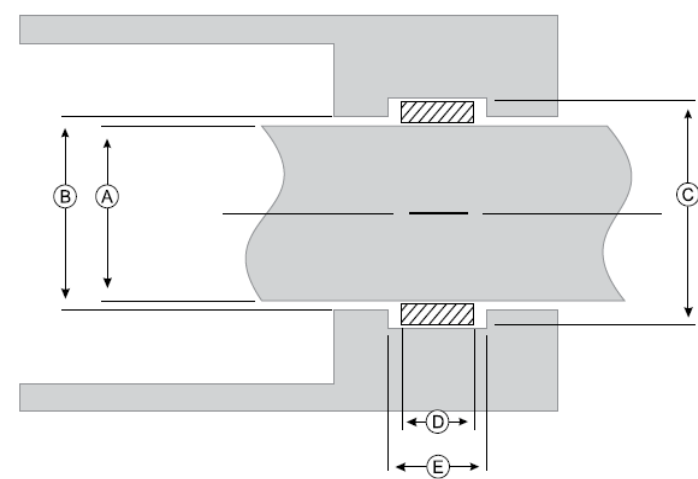


ANÉIS GUIA



Medidas sugeridas para Pistões

Ø do cilindro	Ref. Parker	Espessura	Largura	Ø do cilindro	Ref. Parker	Espessura	Largura	Ø do cilindro	Ref. Parker	Espessura	Largura
7/8	W1-875-500	.075/.080	1/2"	3-1/2	W2-3500-500	.120/.125	1/2"	7-1/4	W2-7250-500	.120/.125	1/2"
1	W1-1000-500	.075/.080	1/2"	3-3/4	W2-3750-500	.120/.125	1/2"	7-1/2	W2-7500-500	.120/.125	1/2"
1-1/8	W1-1125-500	.075/.080	1/2"	4	W2-4000-500	.120/.125	1/2"	7-3/4	W2-7750-500	.120/.125	1/2"
1-1/4	W1-1250-500	.075/.080	1/2"	4-1/4	W2-4250-500	.120/.125	1/2"	8	W2-8000-500	.120/.125	1/2"
1-3/8	W1-1375-500	.075/.080	1/2"	4-1/2	W2-4500-500	.120/.125	1/2"	8-1/4	W2-8250-500	.120/.125	1/2"
1-1/2	W1-1500-500	.075/.080	1/2"	4-1/2	W2-4500-625	.120/.125	5/8"	8-1/2	W2-8500-500	.120/.125	1/2"
1-5/8	W1-1625-500	.075/.080	1/2"	4-3/4	W2-4750-500	.120/.125	1/2"	8-3/4	W2-8750-500	.120/.125	1/2"
1-3/4	W1-1750-500	.075/.080	1/2"	5	W2-5000-500	.120/.125	1/2"	9	W2-9000-500	.120/.125	1/2"
1-1/2	W2-1500-500	.120/.125	1/2"	5-1/4	W2-5250-500	.120/.125	1/2"	9-1/4	W2-9250-500	.120/.125	1/2"
1-3/4	W2-1750-500	.120/.125	1/2"	5-1/2	W2-5500-500	.120/.125	1/2"	9-1/2	W2-9500-500	.120/.125	1/2"
2	W2-2000-500	.120/.125	1/2"	5-3/4	W2-5750-500	.120/.125	1/2"	9-3/4	W2-9750-500	.120/.125	1/2"
2-1/4	W2-2250-500	.120/.125	1/2"	5-3/4	W2-5750-625	.120/.125	5/8"	10	W2-10000-500	.120/.125	1/2"
2-1/2	W2-2500-500	.120/.125	1/2"	6	W2-6000-500	.120/.125	1/2"	10-1/4	W2-10250-500	.120/.125	1/2"
2-3/4	W2-2750-500	.120/.125	1/2"	6-1/4	W2-6250-500	.120/.125	1/2"	10-1/2	W2-10500-500	.120/.125	1/2"
3	W2-3000-500	.120/.125	1/2"	6-1/2	W2-6500-500	.120/.125	1/2"	10-3/4	W2-10750-500	.120/.125	1/2"
3-1/4	W2-3250-375	.120/.125	3/8"	6-3/4	W2-6750-500	.120/.125	1/2"	11	W2-11000-500	.120/.125	1/2"
3-1/4	W2-3250-500	.120/.125	1/2"	6-3/4	W2-6750-1000	.120/.125	1"				
3-1/2	W2-3500-375	.120/.125	3/8"	7	W2-7000-500	.120/.125	1/2"				



Medidas sugeridas para Hastes

Ø da Haste	Ref. Parker	Espessura	Largura	Ø da Haste	Ref. Parker	Espessura	Largura	Ø da Haste	Ref. Parker	Espessura	Largura
1	W1-1150-500	.075/.080	1/2"	5	W2-5250-625	.120/.125	5/8"	8	W2-8250-500	.120/.125	1/2"
1-1/4	W1-1400-500	.075/.080	1/2"	5-1/4	W2-5500-500	.120/.125	1/2"	8	W2-8250-625	.120/.125	5/8"
1-1/2	W1-1650-500	.075/.080	1/2"	5-1/4	W2-5500-625	.120/.125	5/8"	8-1/4	W2-8500-500	.120/.125	1/2"
1-3/4	W2-2000-500	.120/.125	1/2"	5-1/2	W2-5750-500	.120/.125	1/2"	8-1/4	W2-8500-625	.120/.125	5/8"
2	W2-2250-500	.120/.125	1/2"	5-1/2	W2-5750-625	.120/.125	5/8"	8-1/2	W2-8750-500	.120/.125	1/2"
2-1/4	W2-2500-500	.120/.125	1/2"	5-3/4	W2-6000-500	.120/.125	1/2"	8-1/2	W2-8750-625	.120/.125	5/8"
2-1/2	W2-2750-500	.120/.125	1/2"	5-3/4	W2-6000-625	.120/.125	5/8"	8-3/4	W2-9000-500	.120/.125	1/2"
2-3/4	W2-3000-500	.120/.125	1/2"	6	W2-6250-500	.120/.125	1/2"	8-3/4	W2-9000-625	.120/.125	5/8"
3-1/4	W2-3250-375	.120/.125	3/8"	6	W2-6250-625	.120/.125	5/8"	9	W2-9250-500	.120/.125	1/2"
3-1/4	W2-3250-500	.120/.125	1/2"	6-1/4	W2-6500-500	.120/.125	1/2"	9	W2-9250-625	.120/.125	5/8"
3-1/2	W2-3500-375	.120/.125	3/8"	6-1/4	W2-6500-625	.120/.125	5/8"	9-1/4	W2-9500-500	.120/.125	1/2"
3-1/4	W2-3500-500	.120/.125	1/2"	6-1/2	W2-6750-500	.120/.125	1/2"	9-1/4	W2-9500-625	.120/.125	5/8"
3-1/2	W2-3750-500	.120/.125	1/2"	6-1/2	W2-6750-625	.120/.125	5/8"	9-1/2	W2-9750-500	.120/.125	1/2"
3-3/4	W2-4000-500	.120/.125	1/2"	6-1/2	W2-6750-1000	.120/.125	1"	9-1/2	W2-9750-625	.120/.125	5/8"
3-3/4	W2-4000-625	.120/.125	5/8"	6-3/4	W2-7000-500	.120/.125	1/2"	9-3/4	W2-10000-500	.120/.125	1/2"
4	W2-4250-500	.120/.125	1/2"	6-3/4	W2-7000-625	.120/.125	5/8"	9-3/4	W2-10000-625	.120/.125	5/8"
4	W2-4250-625	.120/.125	5/8"	7	W2-7250-500	.120/.125	1/2"	10	W2-10250-500	.120/.125	1/2"
4-1/4	W2-4500-500	.120/.125	1/2"	7	W2-7250-625	.120/.125	5/8"	10	W2-10250-625	.120/.125	5/8"
4-1/4	W2-4500-625	.120/.125	5/8"	7-1/4	W2-7500-500	.120/.125	1/2"	10-1/4	W2-10500-500	.120/.125	1/2"
4-1/2	W2-4750-500	.120/.125	1/2"	7-1/4	W2-7500-625	.120/.125	5/8"	10-1/4	W2-10500-625	.120/.125	5/8"
4-1/2	W2-4750-625	.120/.125	5/8"	7-1/2	W2-7750-500	.120/.125	1/2"	10-1/2	W2-10750-500	.120/.125	1/2"
4-3/4	W2-5000-500	.120/.125	1/2"	7-1/2	W2-7750-625	.120/.125	5/8"	10-1/2	W2-10750-625	.120/.125	5/8"
4-3/4	W2-5000-625	.120/.125	5/8"	7-3/4	W2-8000-500	.120/.125	1/2"	10-3/4	W2-11000-500	.120/.125	1/2"
5	W2-5250-500	.120/.125	1/2"	7-3/4	W2-8000-625	.120/.125	5/8"	10-3/4	W2-11000-625	.120/.125	5/8"

Medidas especiais

Ø DI	Ø DE	Ref.Parker	Espessura	Largura
3.190	3.580	6W1-1410-375	195	952
3.810	4.200	6W1-1660-500	195	1.270
4.444	5.080	6W2-2000-427	318	1.085
5.000	5.636	6W2-2218-500	318	1.270
5.714	6.350	6W2-2500-427	318	1.085
6.000	6.635	6W2-2612-500	318	1.270
6.984	7.620	6W2-3000-427	318	1.085
7.141	7.777	6W2-3062-427	318	1.085
7.363	8.000	6W2-3149-500	318	1.270
8.254	8.890	6W2-3500-374	318	950
8.254	8.890	6W2-3500-394	318	1.000
8.729	9.365	6W2-3687-500	318	1.270
9.524	10.160	6W2-4000-427	318	1.085
10.564	11.200	6W5-4409-785	318	2.000
11.863	12.500	6W5-4921-500	318	1.270
12.064	12.700	6W2-5000-427	318	1.085
14.604	15.240	6W2-6000-427	318	1.085
18.414	19.050	6W2-7500-427	318	1.085
5.050	5.380	6W3-2118-975	145	2.477
8.100	8.500	6W4-3346-590	200	1.500
9.600	10.000	6W4-3937-590	200	1.500
3.500	4.100	6W5-1614-768	300	1.950
4.400	5.000	6W5-1988-590	300	1.500
5.750	6.350	6W5-2500-256	300	650
6.400	7.000	6W5-2756-590	300	1.500
7.700	8.300	6W5-3265-590	300	1.500
9.560	10.160	6W5-4000-590	300	1.500
9.600	10.200	6W5-4015-590	300	1.500
11.400	12.000	6W5-4750-785	300	2.000
11.900	12.500	6W5-4921-500	300	1.270
11.900	12.500	6W5-4921-787	300	2.000
19.350	19.950	6W5-7854-787	300	2.000
6.020	6.500	6W6-2559-236	240	600
7.520	8.000	6W6-3149-236	240	600
5.700	6.350	6W7-2500-500	325	1.270
8.240	8.890	6W7-3500-625	325	1.587
4.122	4.762	6W8-1875-495	320	1.257
5.710	6.350	6W8-2500-750	320	1.905
6.660	7.300	6W8-2875-495	320	1.257
6.980	7.620	6W8-3000-986	320	2.504
8.250	8.890	6W8-3500-397	320	1.008
9.520	10.160	6W8-4000-493	320	1.250
10.155	10.795	6W8-4250-486	320	1.230
3.350	3.810	6W9-1500-370	230	940
4.620	5.080	6W9-2000-370	230	940
7.160	7.620	6W9-3000-375	230	952
9.500	10.000	6W10-3937-374	250	950
9.520	10.160	6W8-4000-1236	320	3.139
10.155	10.795	6W8-4250-9860	320	2.504
10.790	11.430	6W8-4500-1486	320	3.774
14.600	15.240	6W8-6000-1313	320	3.335
15.870	16.510	6W8-6500-1361	320	3.457



**SOLUÇÃO TOTAL EM
VEDAÇÕES INDUSTRIAIS**